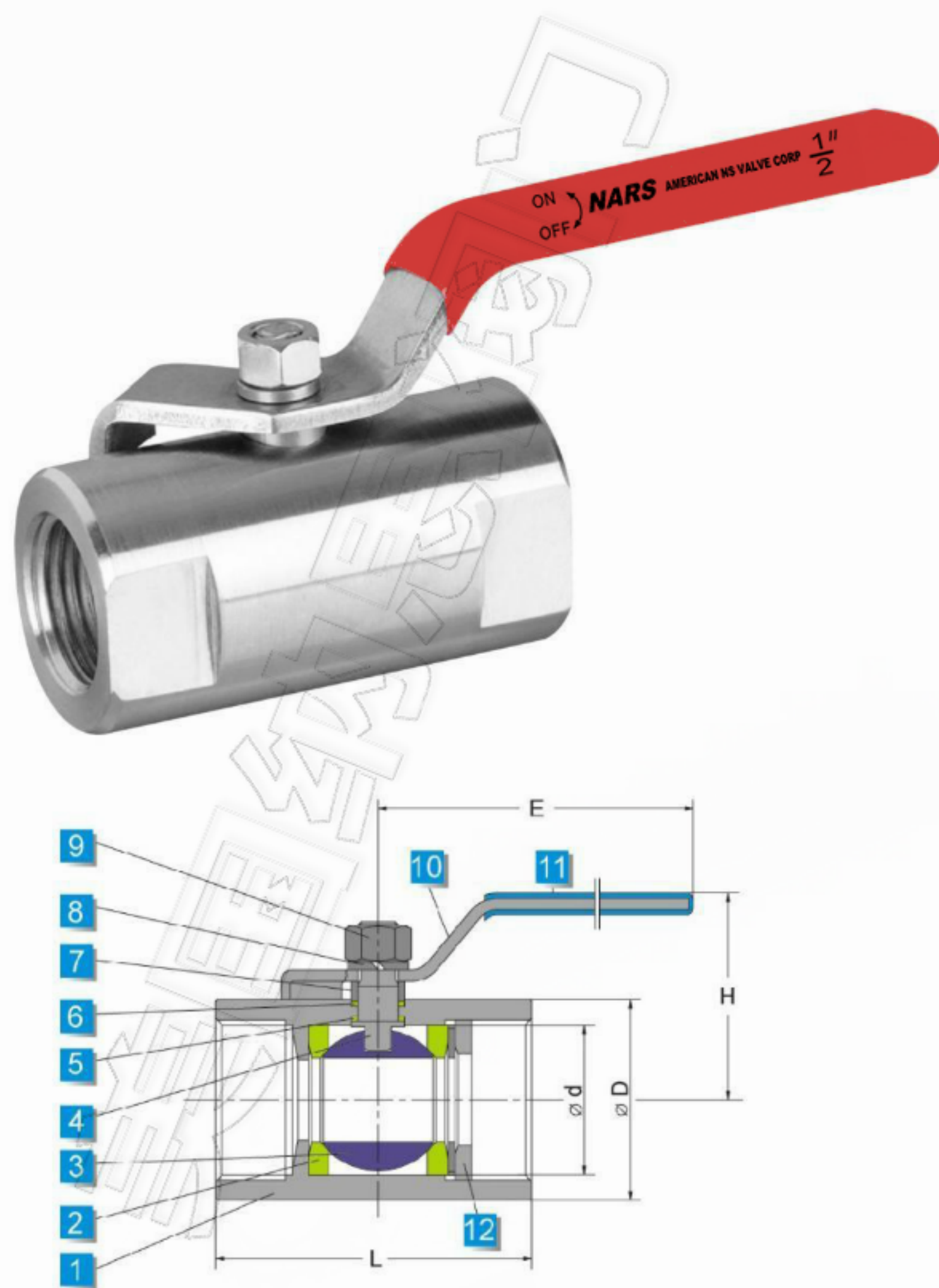


1PC广式内螺纹球阀
1PC Ball Valve 1000WOG

NARSF005



产品特点 / FEATURES:

阀杆带有防脱出装置设计
Blow-out Proof Stem
减流量
Reduced Port
多种螺纹端供选择
Various Thread Standards Available

标准 / STANDARDS:

设计标准 / Design: ASME B16.34
壁厚标准 / Wall Thickness: ASME B16.34
螺纹标准 / Pipe Thread: ASME B1.20.1, BS21
DIN 2999/259, ISO 228/1
JIS B 0203, ISO 7/1
检测标准 / Inspection & Testing:
MSS SP-110, EN 12266

No.	PARTS NAME	MATERIAL	
1	阀体/Body	SUS316	SUS 304
2	阀座/Seat	PTFE	
3	球体/Ball	SUS316	SUS304
4	阀杆/Stem	SUS316	SUS304
5	止推垫片/Thrust Washer	PTFE	
6	填料/Stem packing	PTFE	
7	压盖/Gland	SUS304	
8	弹簧垫圈/Spring Washer	SUS304	
9	阀杆螺母/Stem Nut	SUS304	
10	手柄/Handle	SUS301	
11	手柄套/Handle Cover	Plastic	
12	端塞 (堵头) /End Plug	SUS304	

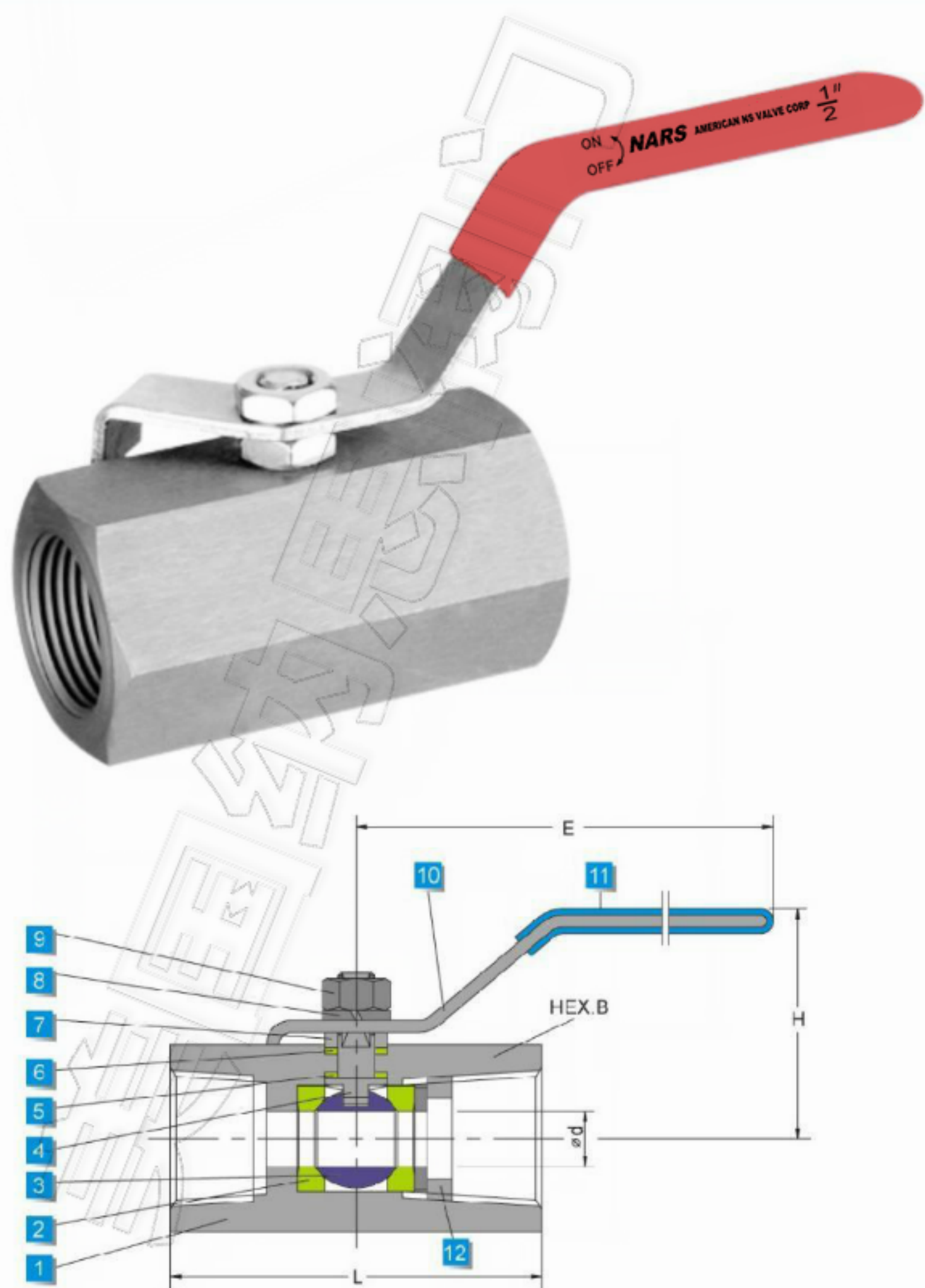
Unit:mm

Size	L	Ød	ØD	H	E
1/2"	60	10.5	33	35	95
3/4"	65	12	37	37	95
1"	73	18	45	70	120
1-1/4"	90	23	54	85	155
1-1/2"	98	25	65	89	155
2"	113	32	75	95	185

Threaded Ball Valves

1PC六角内螺纹球阀
1PC Ball Valve Hexagon Type 2000WOG

NARSF002



产品特点 / FEATURES:

阀杆带有防脱出装置设计
Blow-out Proof Stem
减流量
Reduced Port
多种螺纹端供选择
Various Thread Standards Available

标准 / STANDARDS:

设计标准 / Design: ASME B16.34
壁厚标准 / Wall Thickness: ASME B16.34
螺纹标准 / Pipe Thread: ASME B1.20.1, BS21
DIN 2999/259, ISO 228/1
JIS B 0203, ISO 7/1
检测标准 / Inspection & Testing: MSS
SP-110, EN 12266

No.	PARTS NAME	MATERIAL	
1	阀体/Body	A105	
2	阀座/Seat	PTFE	
3	球体/Ball	CF8M	CF8
4	阀杆/Stem	SUS316	SUS304
5	止推垫片/Thrust Washer	PTFE	
6	填料/Stem packing	PTFE	
7	压盖/Gland	SUS304	
8	弹簧垫圈/Spring Washer	SUS304	
9	阀杆螺母/Stem Nut	A193-B8	
10	手柄/Handle	SUS301	
11	手柄套/Handle Cover	Plastic	
12	端塞 (堵头) /End Plug	SUS304	

Size	L	Ød	H	E	HEX.B
1/4"	42	5	27	75	22
3/8"	46	8	38	75	25
1/2"	62	9	43	110	30
3/4"	62	12.5	45	110	36
1"	86	15	57	120	46
1-1/4"	93	20	61	135	55
1-1/2"	101	25	66	150	60
2"	115	32	73.5	150	75