

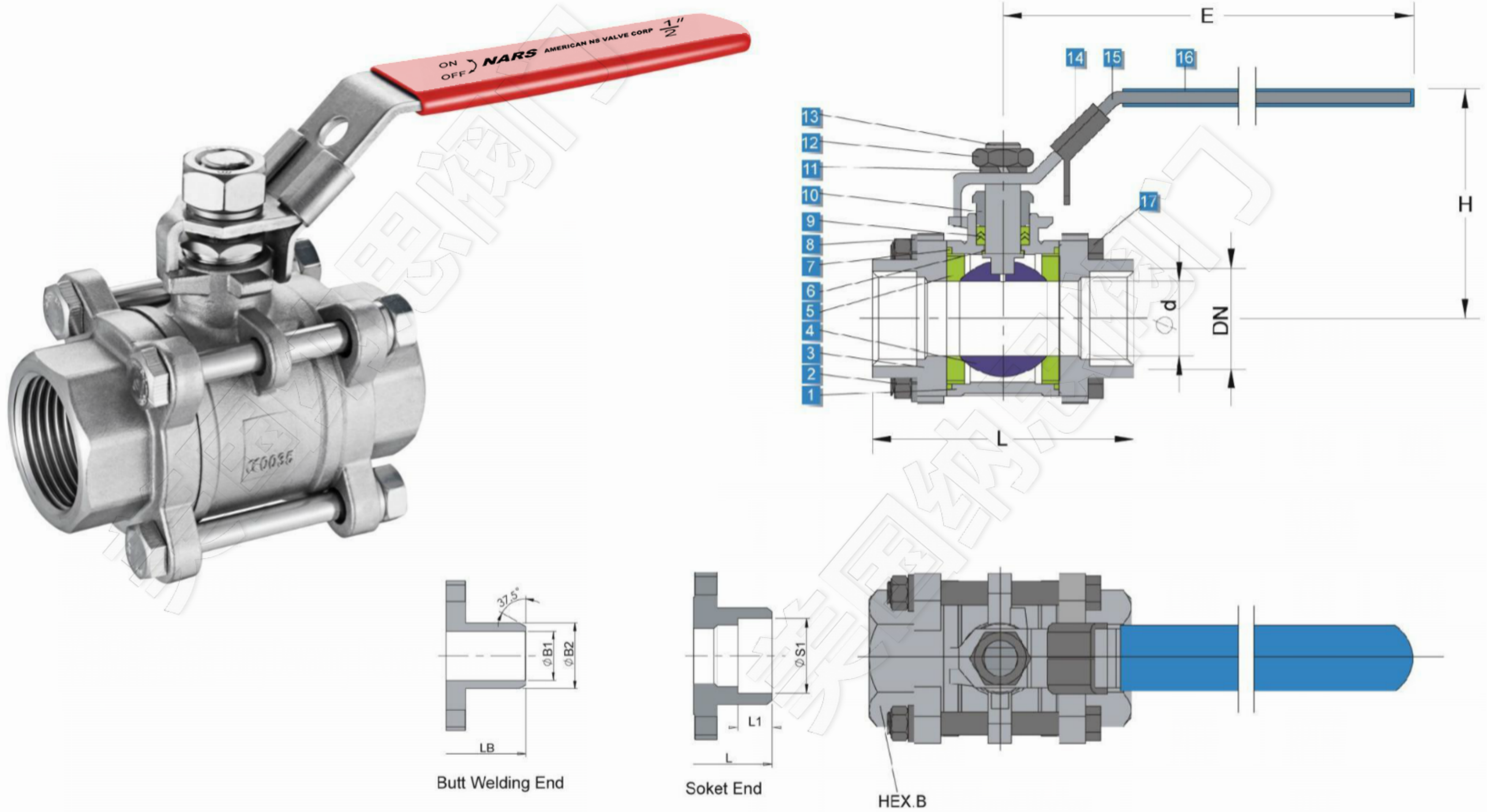
产品特点 / FEATURES:

阀杆带有防脱出装置设计 Blow-out Proof Stem
钢球球槽上有泄压孔设计
Pressure Balance Hole In Ball Slot
可选择挂锁装置 Lock Device
采用脱腊精密铸造 Using Dewaxing Precision Casting

标准 / STANDARDS:

设计标准 / Design: ASME B16.34
壁厚标准 / Wall Thickness: ASME B16.34
螺纹标准 / Pipe Thread: ASME B1.20.1, BS21
DIN 2999/259, ISO 228/1 JIS B 0203, ISO 7/1
对焊标准 / Butt Weld: ASME B16.25
承插焊标准 / Socket Weld: ASME B16.11
检测标准 / Inspection & Testing: MSS SP-110, EN 12266

No.	PARTS NAME	MATERIAL		
1	阀体/Body	CF8M	CF8	WCB
2	螺母/Nut	SUS304		
3	阀盖/Cap	CF8M	CF8	WCB
4	球体/Ball	CF8M	CF8	
5	阀座/Seat	PTFE	RPTFE	
6	止推垫片/Thrust Washer	PTFE		
7	密封圈/Cap Gasket	PTFE		
8	弹簧垫圈/Spring Washer	SUS304		
9	填料/Stem Packing	PTFE		
10	填料压盖/Nut Gland	SUS304		
11	弹簧垫圈/Spring Washer	SUS304		
12	螺母/Nut	SUS304		
13	阀杆/Stem	SUS316	SUS304	
14	锁片/Locking Device	SUS301		
15	手柄/Handle	SUS304		
16	手柄套/Handle Cover	Plastic		
17	双头螺栓/Bolt	SUS304		



Unit:mm

DN	L	Ød	H	E	L1	ØS1	LB	ØB1	ØB2	HEX.B	THEAD
1/2"	70	15	64	120	10	21.8	71	15	22	26	NPT BSP PT DIN BSPT Etc.
3/4"	80	20	67	120	13	27.3	80	20	26.5	32	
1"	86	25	73	120	13	34	88	25	34	38	
1-1/4"	100	32	83.5	150	16	42.8	100	32	42	48.5	
1-1/2"	108	38	98	170	16	48.9	110	38	47.5	54	
2"	136	49	107	170	17	61.4	136	49	60	67.5	
2-1/2"	165	65	129	250	17	74	173	65	75	83	
3"	192	78	136	250	17	90	198	80	92	96	
4"	242	98	167	300	20	115.4	245	98	110	123	