

NARSF101

3PC高平台内螺纹球阀

3PC Ball Valve With Direct Mounting Pad 1000WOG

产品特点 / FEATURES:

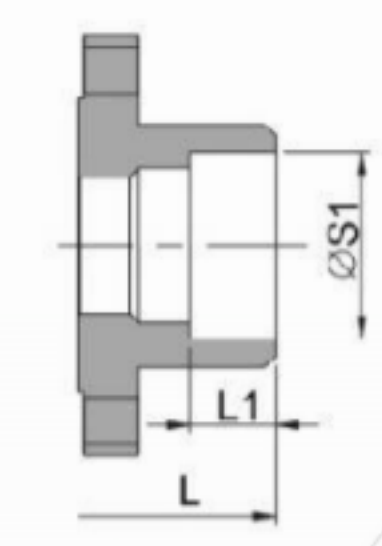
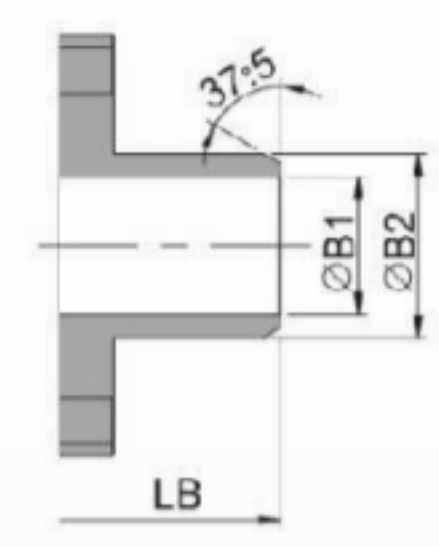
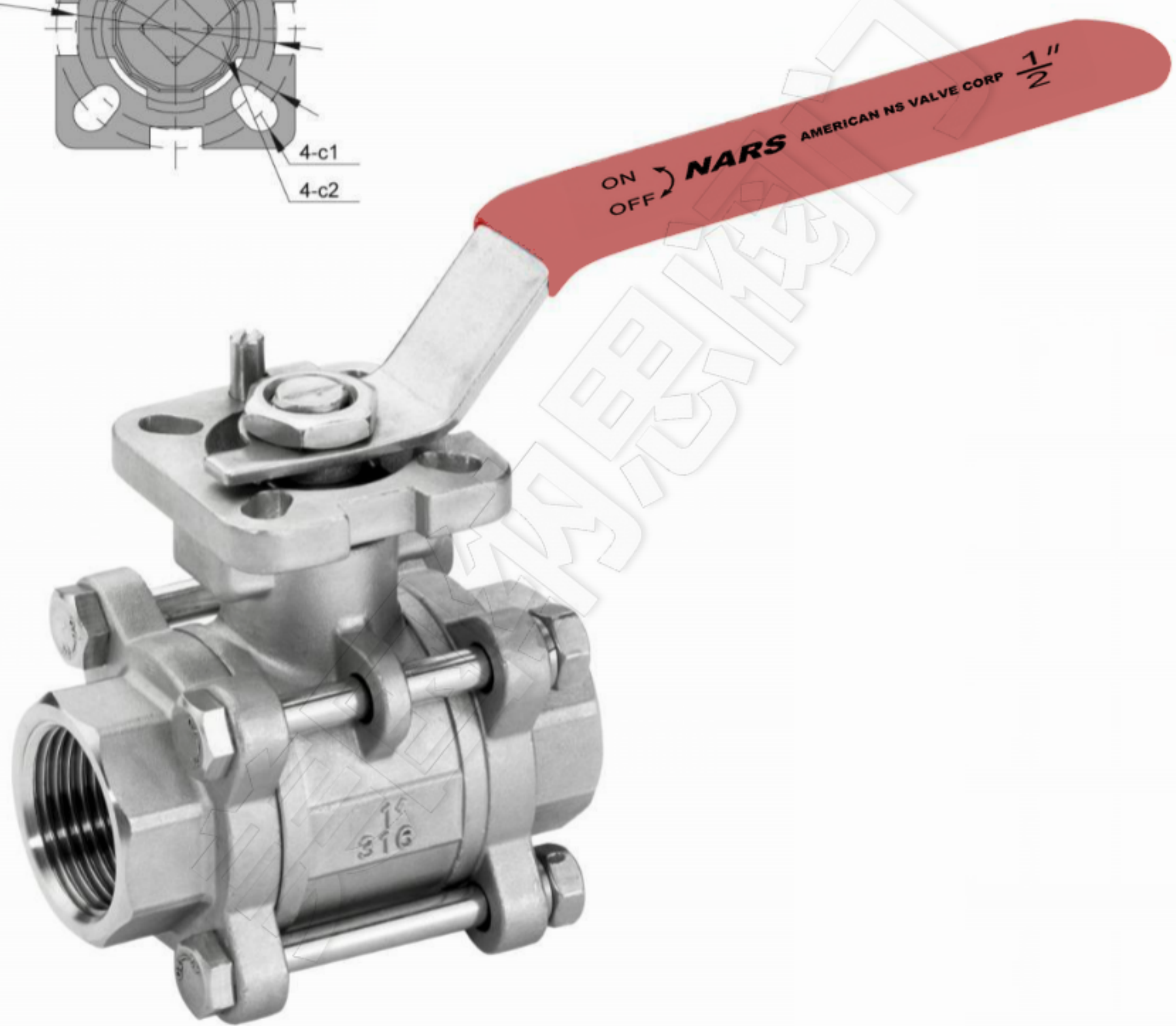
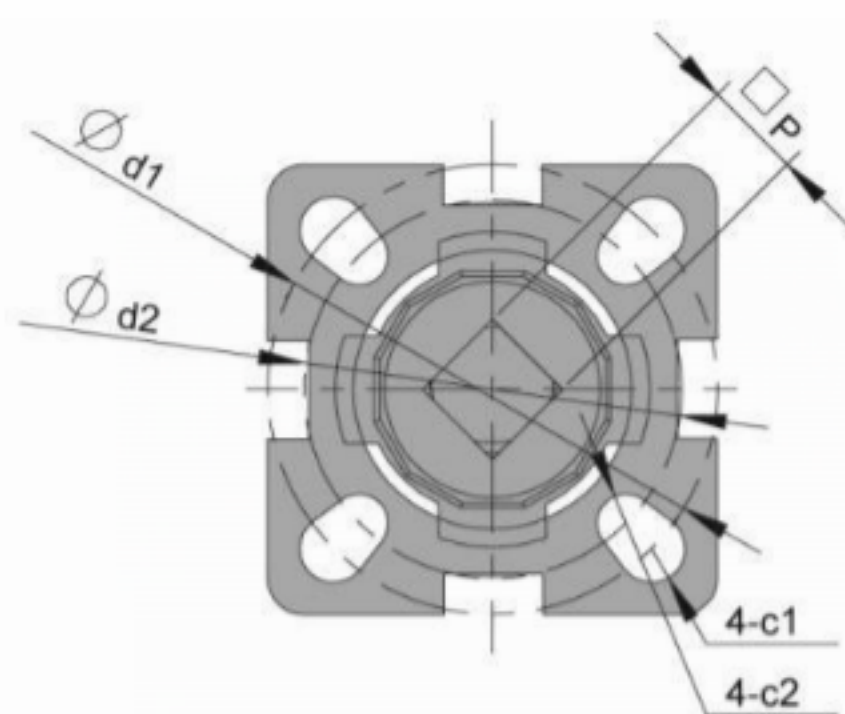
阀杆带有防静电设置 Anti-Static Devices For Ball- Stem- Body
 阀杆带有防脱出装置设计 Blow-out Proof Stem
 钢球球槽上有泄压孔设计 Pressure Balance Hole in Ball Slot
 采用 ISO 5211 直接安装执行器平台设计
 Built in ISO 5211 Direct Mounting Pad for Easy Automation

标准 / STANDARDS:

设计标准 / Design: ASME B16.34
 壁厚标准 / Wall Thickness: ASME B16.34
 螺纹标准 / Pipe Thread: ASME B1.20.1, BS21
 DIN 2999/259, ISO 228/1 JIS B 0203, ISO 7/1
 对焊标准 / Butt Weld: ASME B16.25
 承插焊标准 / Socket Weld: ASME B16.11
 检测标准 / Inspection & Testing: MSS SP-110, EN 12266

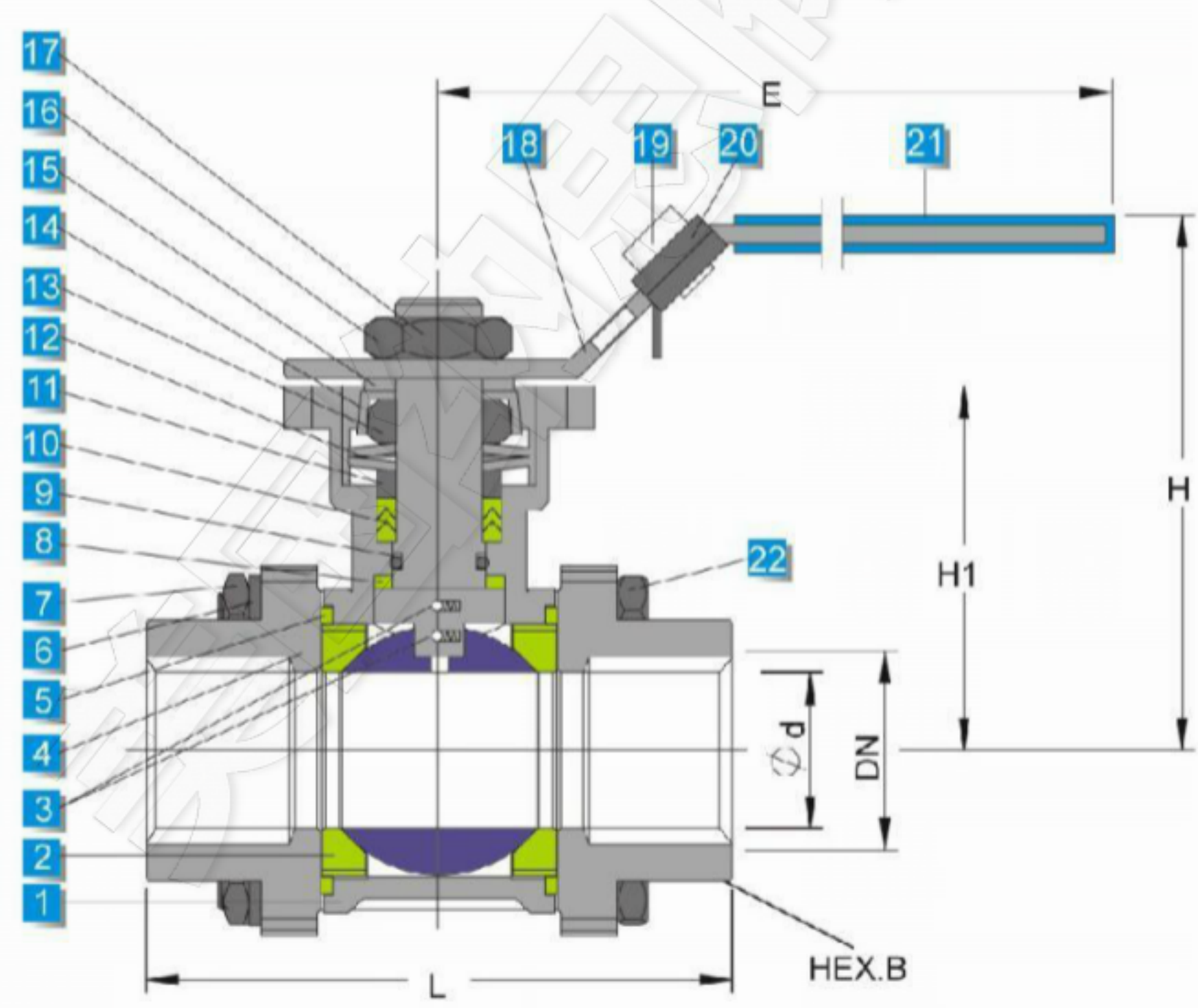
Threaded Ball Valves

No.	PARTS NAME	MATERIAL		
		CF8M	CF8	WCB
1	阀体/Body	CF8M	CF8	WCB
2	阀座/Seat	PTFE/RPTFE		
3	防静电装置/Anti-Static Device	SUS304		
4	阀盖/Cap	CF8M	CF8	WCB
5	垫片/Body Gasket	PTFE/RPTFE		
6	弹簧垫圈/Spring Washer	SUS304		
7	螺母/Nut	SUS304		
8	止推垫片/Thrust Washer	PTFE		
9	O型圈/O-Ring	VITON		
10	V型垫圈/V-Ring Packing	PTFE/RPTFE		
11	压盖填料/Packing Gland	SUS304		
12	碟簧/Belleville Waher	SUS301		
13	阀杆螺母/Stem Nut	A194-8		
14	防松盖/Stop Cap	SUS304		
15	垫圈/Washer	SUS304		
16	防松螺母/Stop Nut	SUS304		
17	阀杆/Stem	SUS316/SUS304		
18	手柄/Handle	SUS304		
19	手柄插销/Plastic Pin	Plastic		
20	锁片/Locking Device	SUS301		
21	手柄套/Handle Cover	Plastic		
22	双头螺栓/Bolt	SUS304		



Butt Welding End

Socket End



Unit:mm

DN	Ød	L	LB	H	H1	E	Ød1	Ød2	ØC1	ØC2	□P	ØB1	ØB2	ØS1
1/4"	10.5	50	70	58	26	98	42	36	6	6	9	12.5	18	14.2
3/8"	12	60	70	58	31	110	42	36	6	6	9	12.5	18	17.8
1/2"	15	75	75	67	40	110	42	36	6	6	9	16	22.5	21.8
3/4"	20	80	90	73	46	110	42	36	6	6	9	21	27	27.3
1"	25	90	100	88	57	160	50	42	7	6	11	26	34.5	34.0
1-1/4"	32	110	110	95	64	160	50	42	7	6	11	32	43	42.8
1-1/2"	38	120	125	107.5	71	185	70	50	9	7	14	38	49	48.9
2"	50	140	150	118.5	82	185	70	50	9	7	14	51	62	61.4
2-1/2"	65	185	190	168	98	305	102	70	11	9	17	65	76.5	74.0
3"	78	205	220	178	110	305	102	70	11	9	17	78	92	90.0
4"	100	240	270	198	130	305	102	70	11	9	17	100	115.5	115.4