

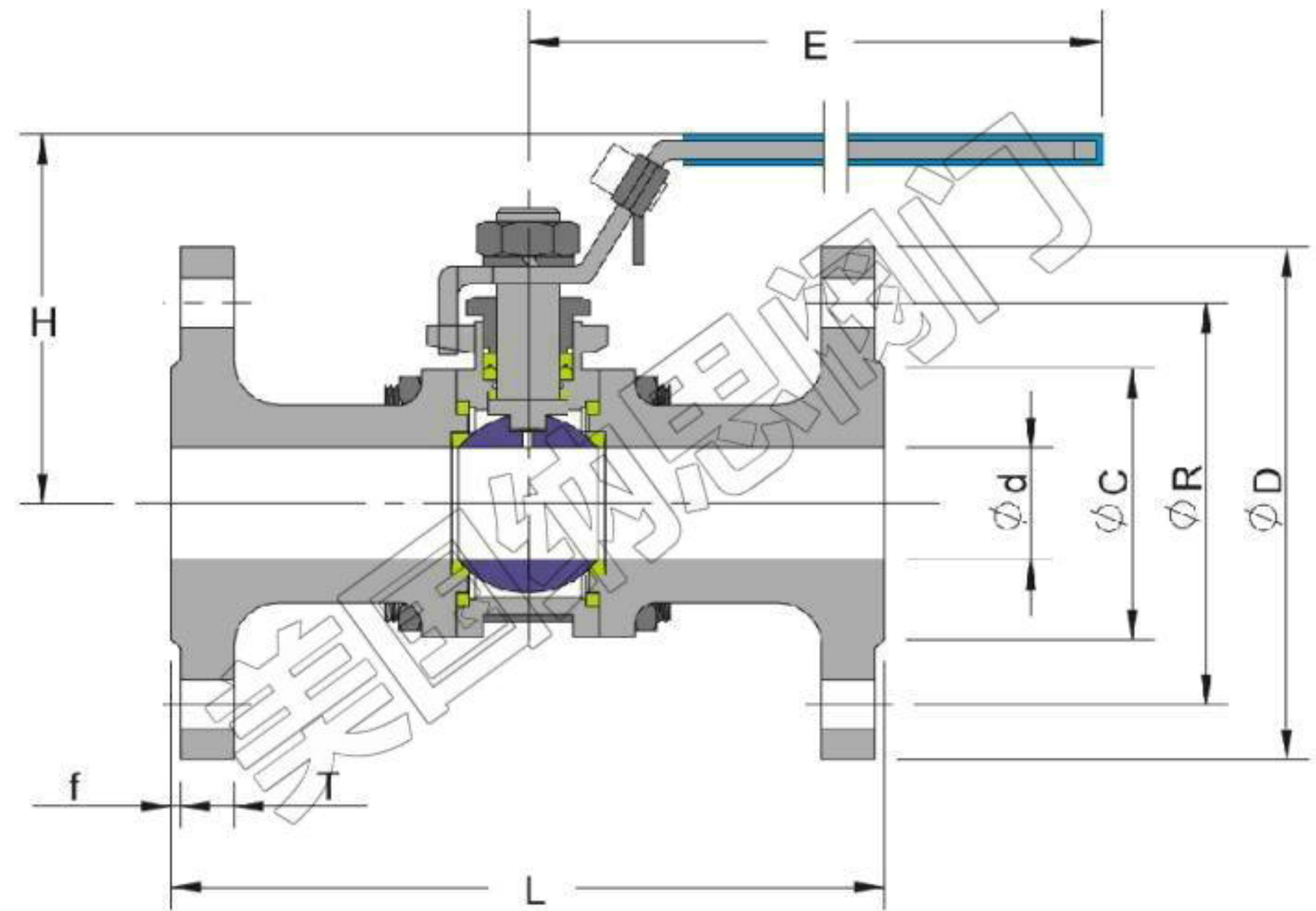
Flanged Ball Valves

**FEATURES:**

- Anti-static Devices For Ball- Stem- Body
- Blow-out Proof Stem
- Pressure Balance Hole In Ball Slot
- Using Dewaxing Precision Casting

**STANDARDS:**

- Design: ASME B16.34
- Wall Thickness: ASME B16.34
- Fire Safe: API 607 ISO 10497
- Face to Face: JIS B2002
- End Flange: JIS B2220
- Inspection & Testing: JIS B2003



Unit:mm ■ JIS 10K

Size	Pressure	L	Ød	ØC	ØR	ØD	H	E	T	f
1/2"	10K	108	15	51	70	95	76.5	160	12	1
3/4"	10K	117	20	56	75	100	83	160	14	1
1"	10K	127	25	67	90	125	91.5	180	14	1
1-1/4"	10K	140	32	76	100	135	104.5	200	16	2
1-1/2"	10K	165	38	81	105	140	111	220	16	2
2"	10K	178	48	96	120	155	120	220	16	2
2-1/2"	10K	190	65	116	140	175	145	280	18	2
3"	10K	203	76	126	150	185	155.5	280	18	2
4"	10K	229	100	151	175	210	168	300	18	2